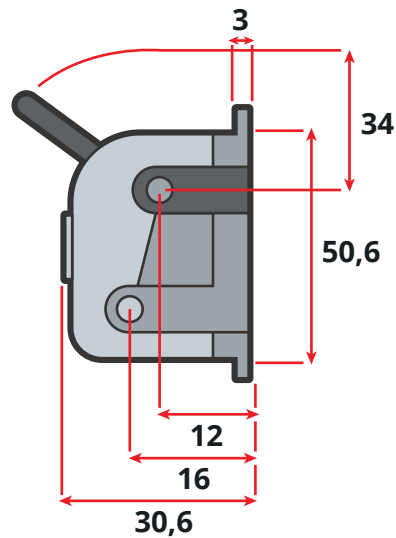
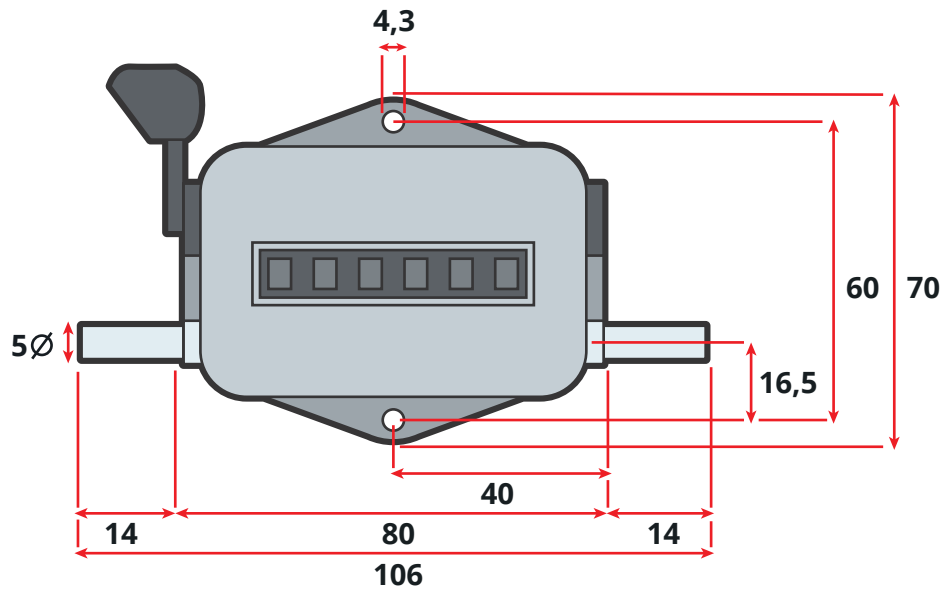
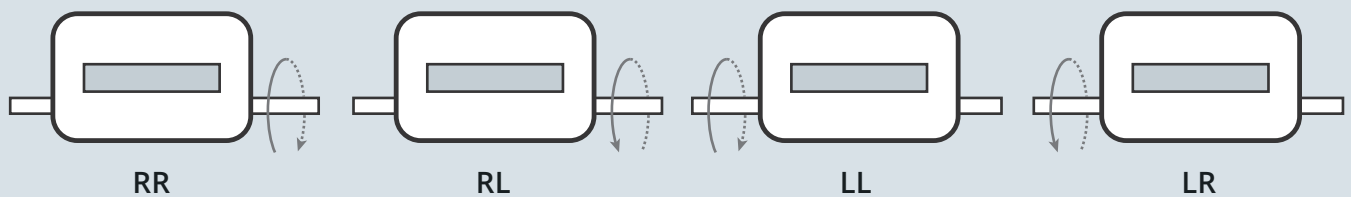


Mesure mm



Indicate the side for the key and the direction of rotation.



DRIVE SKETCH