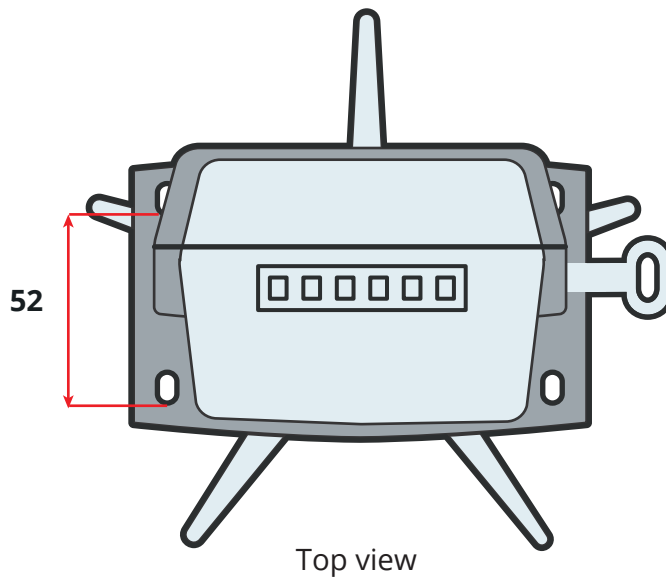
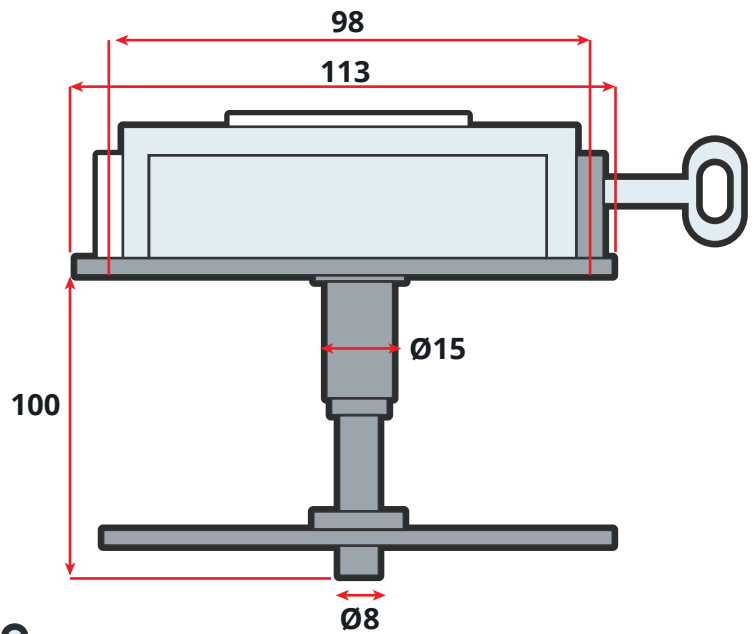
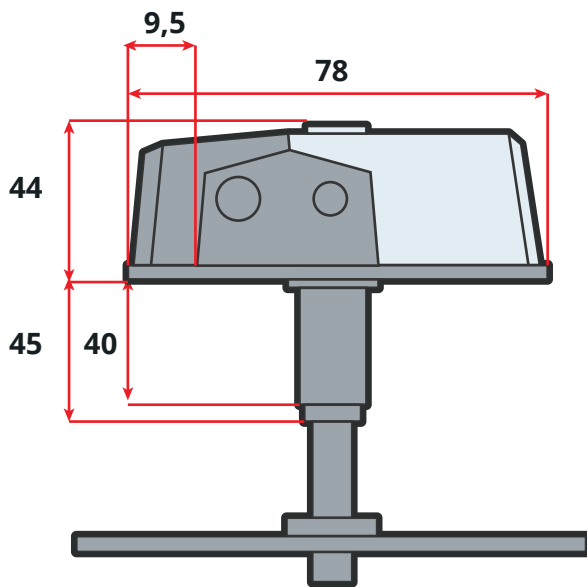
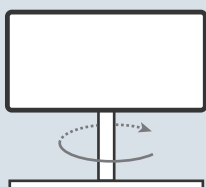


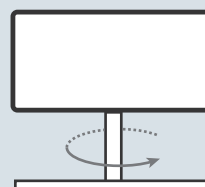
Mesure mm



Indicate the direction of rotation.



Right



Left

DRIVE SKETCH